

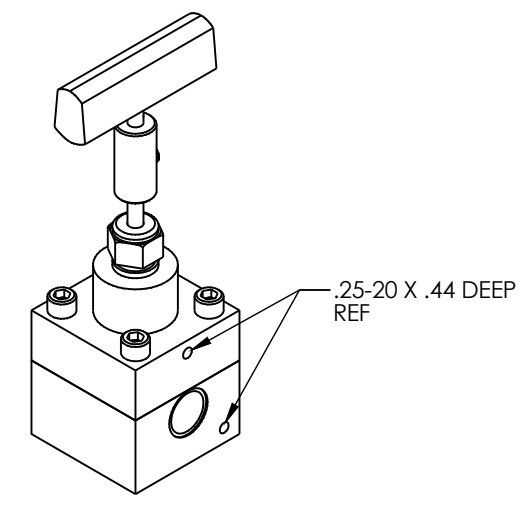
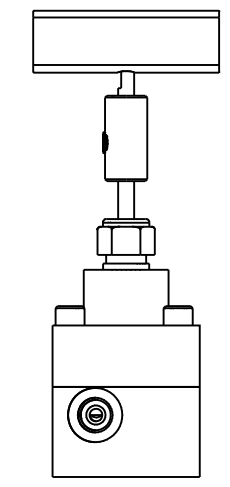
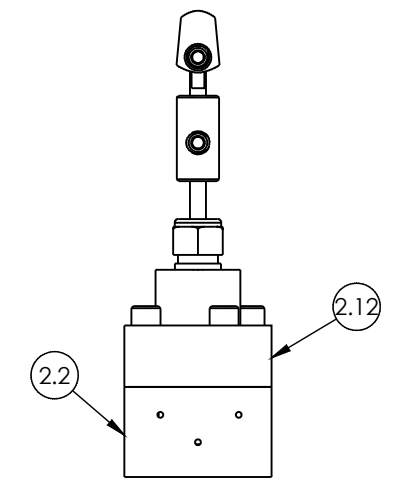
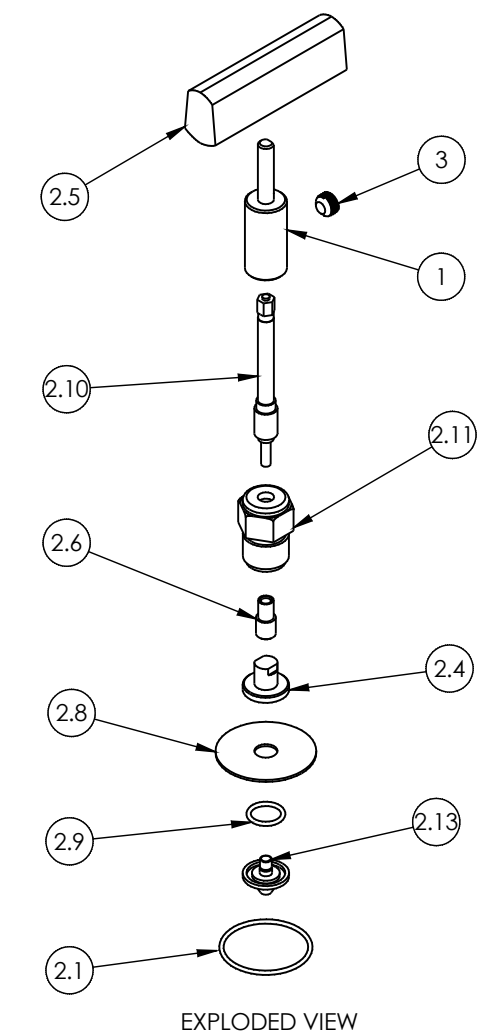
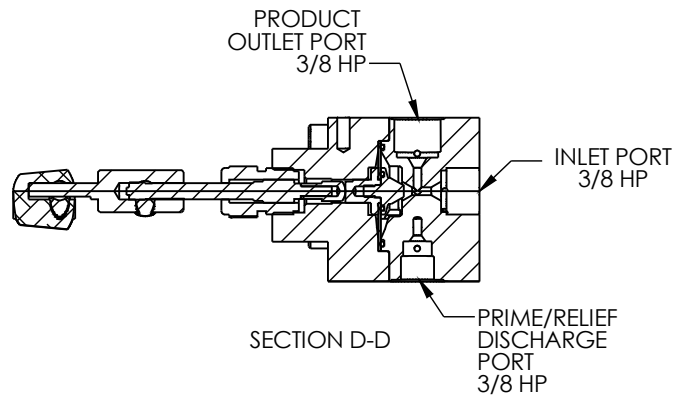
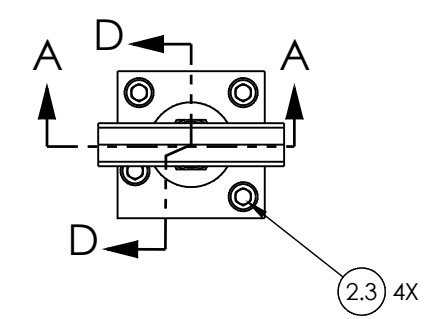
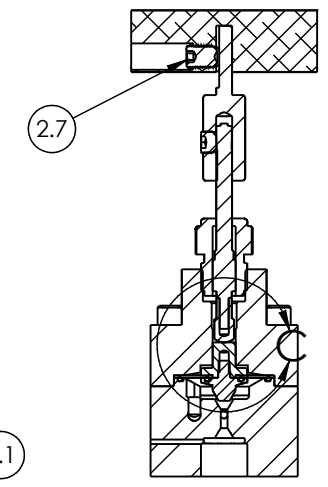
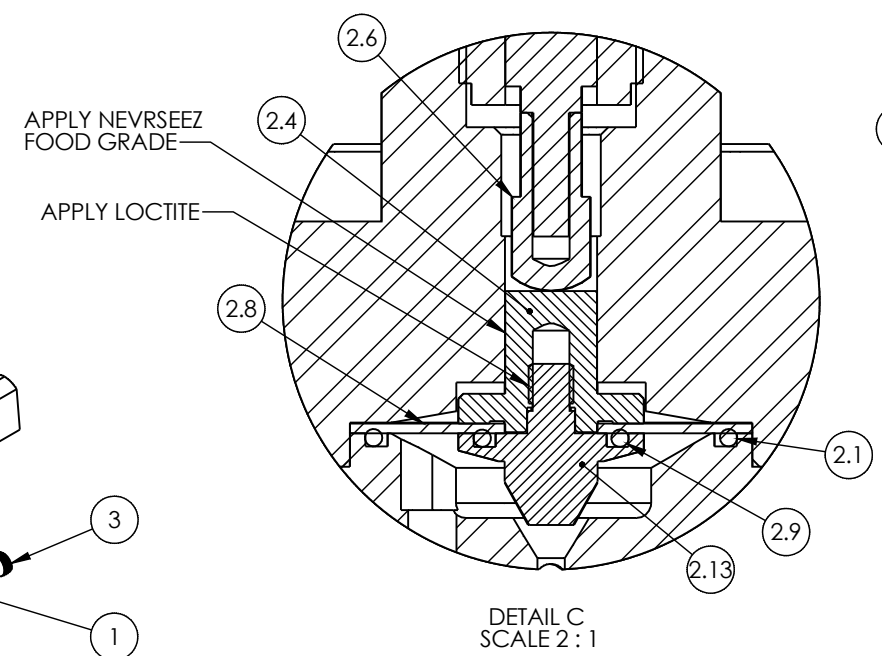
4

3

2

1

REVISIONS						
REV.	ZONE	ECN NO.	DESCRIPTION	DRAWN BY	APPROVED BY	DATE
A	-	-	RELEASED FOR MANUFACTURE	MAB		3/13/2009
B	-	731	UPDATED CALLOUTS	PSG	MW	9-14-2012
C	-	919	REVISE PER ECO	PSG	DH	5-24-16



ITEM NO.	QTY	INV. NO.	DESCRIPTION	MATERIAL	DRAWING
1	1	14.8215	EXTENTION PRIME VLAVE M140K 2.50 LONG HANDLE	300 SS	ND
2	1	22.2117PH	VALVE ASSY HPDV .38 HP PHARMA	SS/TFE	22.2117PH
2.1	1	18.V028-1	O-RING #028 CLASS VI	VITON USP	ND
2.2	1	14.0010PH	VLV HOUSING HP LOWER DIAPH PHARMA	316 SS	C-14.0010
2.3	4	99.0388	SHCS .31-18 X 1.75 LG	18-8 SS	ND
2.4	1	60.0319	GUIDE, HIGH PRESS VALVE	316L SS	60.0319
2.5	1	14.0006	HANDLE	AL	14.0006
2.6	1	14.0003	SHAFT EXTENSION, HPDV	17-4 PH	14.0003
2.7	1	99.0389	SHSS .38-24 X .50 LG CUP POINT	ALLOY STEEL	ND
2.8	1	60.0317	DIAPHRAGM, HIGH PRESSURE VALVE	TEFLON	60.0317
2.9	1	18.V014-1	O-RING #014 CLASS VI	FKM USP	ND
2.10	1	14.0004	STEM, REWORK HPDV	17-4 PH	14.0004
2.11	1	14.0005	PACKING GLAND SS .75-16 THD	316 SS	14.0005
2.12	1	14.0008PH	VLV HOUSING UPPER DIAPH PHARMA	316 SS	14.0008
2.13	1	60.0318PH	CONE HP VLV 316SS PHARMA	316 SS	B-60.0318
3	1	99.0515	SHSS .38-24 X .25 LG	ALLOY STEEL	ND

- NOTES:
1. PRESSURE RATING: 30000 PSI (2068 BAR).
  2. VALVE MUST BE CLOSED VERY TIGHT BEFORE APPLYING FULL HIGH PRESSURE.
  3. MAXIMUM BACK PRESSURE ON DISCHARGE PORT IS 1000 PSI (70 BAR).
  4. ASSEMBLE AND TEST PER ERP-146.

DUPLICATION OR DISSEMINATION WITHOUT AUTHORIZATION PROHIBITED  
CONFIDENTIAL AND PROPRIETARY PROPERTY OF:

**Microfluidics** 30 DSSIPEE RD.  
P.O. BOX 9101  
NEWTON, MA 02464-9101 USA

SCALE: 1:2 TOLERANCES: = ± 1/2" XX = ± 1/32  
DATE: 3/13/2009 .XX = ± .01 .XXX = ± .005

DRAWN BY: pgreco  
F. N. 22.2121PH

**VALVE ASSY HPDV .38 HP PHARMA W/ EXT HANDLE**

MATERIAL: SEE DRAWING SIZE: C DRAWING NUMBER: 22.2121PH REV. C

4

3

2

1

SHEET 1 OF 1